



Yuken can offer a large volume double pump described below. Consult Yuken for the details.

Model Numbers	250250F-*-*-* -RL-20/2080/2090	
Max Operating Pres.	MPa (PSI)	7 (1020)
Output flow at 7 MPa (1020 PSI) and 1200 r/min with 20 mm ² /s (100 SSU) fluid	L/min (U.S.GPM)	(Each Pump) 162-265 (42.8-70)
Shaft Speed Range	r/min	600-1200

Specifications

Model Numbers	Max. Operating Pressure MPa (PSI)	Output Flow & Input Power		Shaft Speed Range r/min		Approx. Mass kg (lbs.)	
		Small Volume Pump	Large Volume Pump	Max.	Min.	Foot Mtg.	Flange Mtg.
5050T	7 ^{*1} (1020)	Same as Single Pump "50T" (Refer to pages 7 & 8)	Same as Single Pump "50T" (Refer to pages 7 & 8)	2000 ^{*2} ^{*6}	600 ^{*4}	31 (68.4)	29 (63.9)
50150T	7 ^{*1} (1020)	Same as Single Pump "50T" (Refer to pages 7 & 8)	Same as Single Pump "150T" (Refer to pages 8 & 9)	1200 ^{*3}	600 ^{*4}	60 (132)	55 (121)
150150T	7 ^{*1} (1020)	Same as Single Pump "150T" (Refer to pages 8 & 9)	Same as Single Pump "150T" (Refer to pages 8 & 9)	1500 ^{*5} ^{*6}	600	67 (148)	62 (137)
50250F	7 ^{*1} (1020)	Same as Single Pump "50T" (Refer to pages 7 & 8)	Same as Single Pump "250F" (Refer to page 10)	1200	600. ^{*4}	131 (289)	125 (276)
150250F	7 ^{*1} (1020)	Same as Single Pump "150T" (Refer to pages 8 & 9)	Same as Single Pump "250F" (Refer to page 10)	1200	600	146 (322)	140 (309)

- ★1. The maximum operating pressure is constant irrespective of fluid types.
- ★2. If nominal displacement 17, 23, 26 or 36 is used, the maximum pump speed is restricted as follows:
 ND. 17,23 1800 r/min
 26 1500 r/min
 36 1200 r/min
- ★3. If large-volume side nominal displacement 94 or 116 is used at a speed above 1000 r/min, restrict the suction pressure to -7 kPa (1.97 in. Hg. Vacuum). (For other models, restrict it to -20 kPa (5.9 in. Hg. Vacuum).)

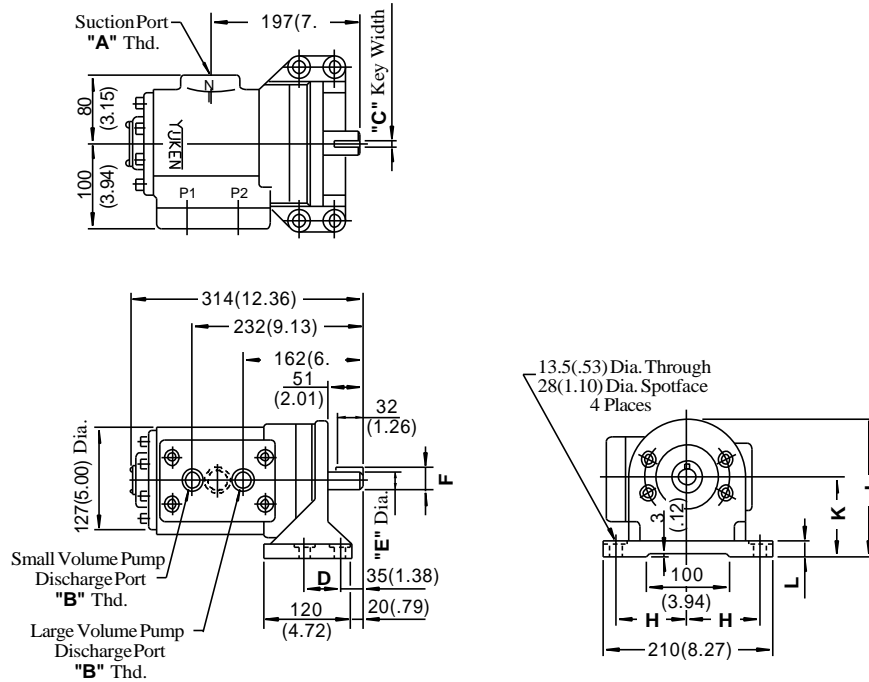
- ★4. If nominal displacement 7 is used on the pump on small-volume side, the minimum speed is restricted to 800 r/min.
- ★5. If nominal displacement 94 or 116 is used, the maximum speed is restricted to 1200 r/min.
- ★6. If phosphate ester type fluids are used, the maximum speed is restricted to 1200 r/min.

Model Number Designation

F-	5050T	-7	-12	-L	-R	L	-40	*
Special Seals	Series Number	Small Volume Pump Nominal Displacement cm ³ /rev	Large Volume Pump Nominal Displacement cm ³ /rev	Mounting	Direction of Rotation	Discharge Port Position	Design Number	Design Std.
F: For phosphate ester type fluids (Omit if not required)	5050T (Threaded Connections)	7, 12, 17, 23, 26, 36	7, 12, 17, 23, 26, 36	L: Foot Mtg. F: Flange Mtg.	(Viewed from Shaft End) R: Clockwise★1 (Normal)	L: On Left Hand (Normal)	40	Refer to ★2
	50150T (Threaded Connections)	7, 12, 17, 23, 26, 36	48, 61, 75, 94, 116				40	
	150150T (Threaded Connections)	48, 61, 75, 94, 116	48, 61, 75, 94, 116				20	
	50250F (Flange Connections)	7, 12, 17, 23, 26, 36	134, 153, 176, 200				40	
	150250F (Flange Connections)	48, 61, 75, 94, 116	134, 153, 176, 200				40	

- ★1. Available to supply pump with anti-clockwise rotation. Consult Yuken for details.
- ★2. Design Standards: None Japanese Standard "JIS"
 80 European Design Standard
 90 N. American Design Standard

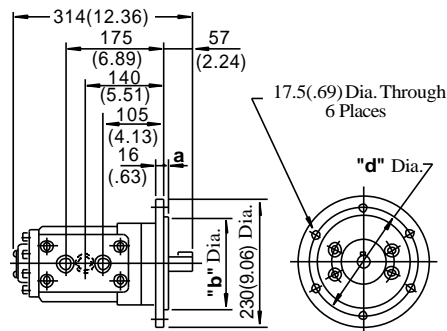
Foot Mtg.:5050T-*-* -L-RL-40/4080/4090



Model Numbers	"A" Thd.	"B" Thd.	Dimensions mm (Inches)							
			C	D	E	F	H	J	K	L
5050T-*-* -L-RL-40	Rc 1-1/2	Rc 3/4	7.000 (.2756) 6.964 (.2742)	50 (2.008)	25.000 (.9843) 24.979 (.9834)	28.000 (1.102) 24.743 (1.092)	90 (3.543)	167 (6.57)	95 (3.74)	20 (.79)
5050T-*-* -L-RL-4080	1-1/2 BSP.F 1-1/2 NPT	3/4 BSP.F 3/4 NPT	4.760 (.1874) 4.730 (.1862)	50.8 (2.000)	25.370 (.9988) 25.349 (.9980)	27.370 (1.078) 27.191 (1.071)	88.9 (3.500)	167.3 (6.59)	95.25 (3.75)	20.3 (.80)

DIMENSIONS IN
MILLIMETRES (INCHES)

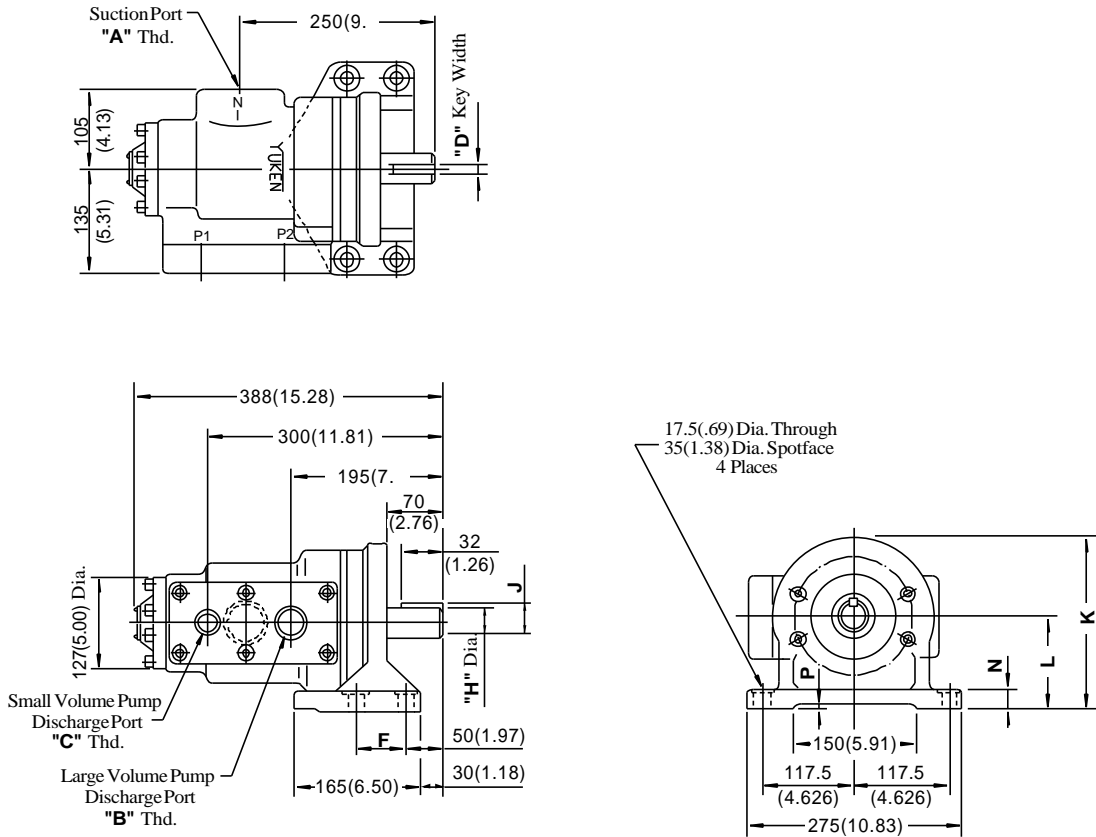
Flange Mtg.:5050T-*-* -F-RL-40/4080/4090



Model Numbers	Dimensions mm (Inches)		
	a	b	d
5050T-*-* -F-RL-40	6 (.24)	160.000 (6.299) 159.960 (6.298)	190 (7.48)
5050T-*-* -F-RL-4080	6.5 (.26)	158.750 (6.250) 158.674 (6.247)	187.3 (7.37)

• For other dimensions, refer to "Foot Mtg.".

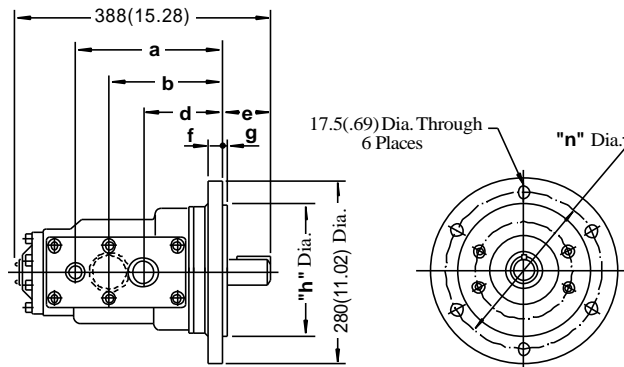
Foot Mtg.:50150T-*-*-L-RL-40/4080/4090



Model Numbers	"A" Thd.	"B" Thd.	"C" Thd.	Dimensions mm (Inches)								
				D	E	E	H	J	K	L	N	P
50150T-*-*-L-RL-40	Rc 2	Rc 1-1/4	Rc 3/4	10.000(.3937)	50	64	38.000 (1.4961)	42.000(1.654)	220	120	25	3
50150T-*-*-L-RL-4080	2BSP.F	1-1/4BSP.F	3/4BSP.F	9.964 (.3923)	57	63.5	38.075 (1.4990)	42.225(1.662)	220.5	120.7	25.7	3.7
	2 NPT	1-1/4 NPT	3/4 NPT	9.525 (.3750)	(2.24)	(2.500)		42.075(1.656)	(8.68)	(4.75)	(1.01)	(.15)

DIMENSIONS IN MILLIMETRES (INCHES)

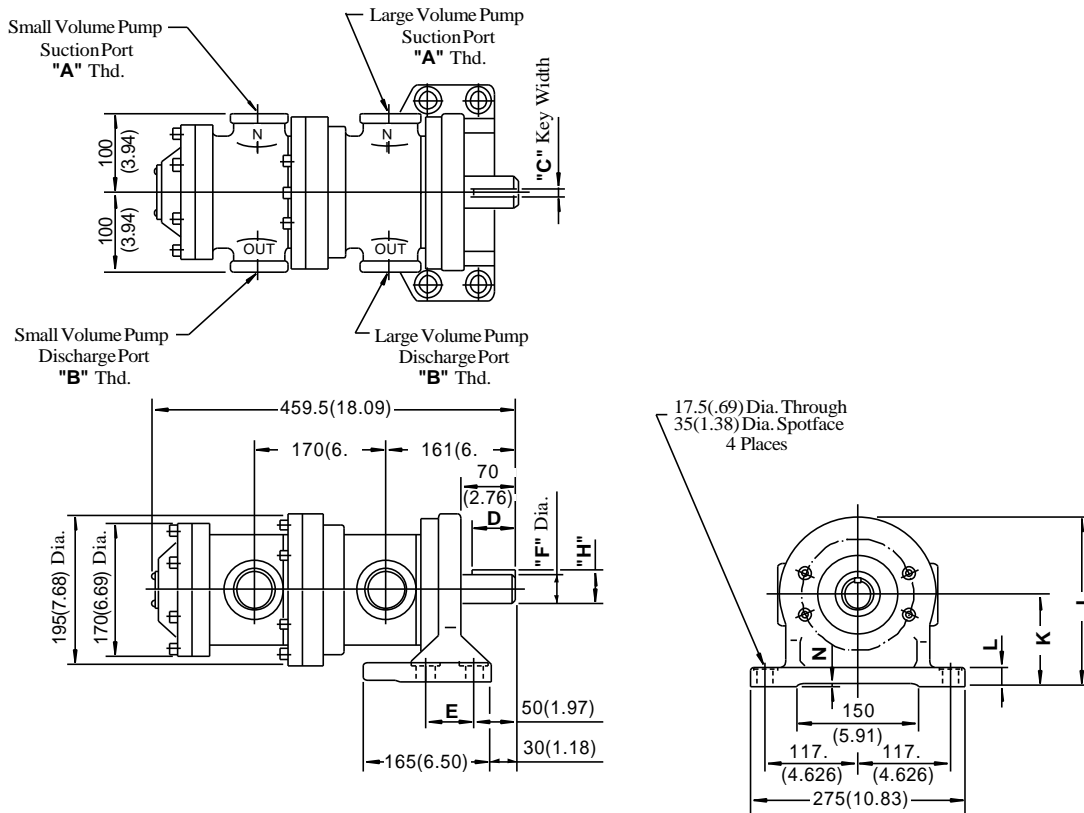
Flange Mtg.:50150T-*-*-F-RL-40/4080/4090



Model Numbers	Dimensions mm (Inches)							
	a	b	d	e	f	g	h	n
50150T-*-*-F-RL-40	225 (8.86)	175 (6.89)	120 (4.72)	75 (2.95)	22 (.87)	5 (.20)	203.000(7.992)	241 (9.49)
50150T-*-*-F-RL-4080	224 (8.82)	174 (6.85)	119 (4.69)	76 (2.99)	21 (.83)	6.5 (.26)	203.200(8.000)	241.3 (9.50)

• For other dimensions, refer to "Foot Mtg."

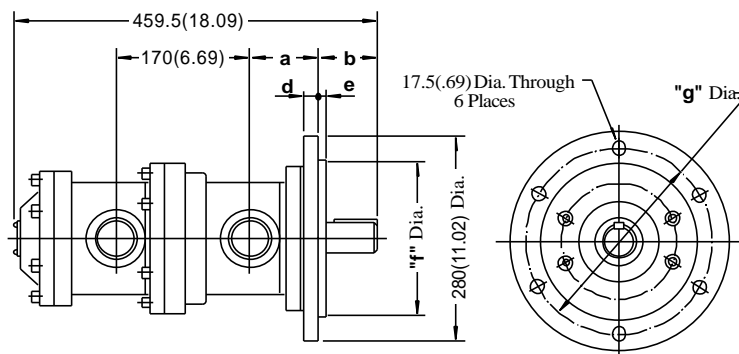
Foot Mtg.:150150T-*-*-L-RL-20/2080/2090



Model Numbers	"A" Thd.	"B" Thd.	Dimensions mm (Inches)								
			C	D	E	F	H	J	K	L	N
150150T-*-*-L-RL-20	Rc 1-1/2	Rc 1-1/4	10.000(.3937)	56	64	38.000(1.4961)	41.000(1.614)	220	120	25	3
			9.964 (.3923)	(2.20)	(2.520)	37.975 (1.4951)	40.685 (1.602)	(8.66)	(4.72)	(.98)	(.12)
150150T-*-*-L-RL-2080	1-1/2BSP.F	1-1/4BSP.F	9.550(.3760)	55	63.5	38.075(1.4990)	42.225(1.662)	220.5	120.7	25.7	3.7
			9.525 (.3750)	(2.17)	(2.500)	38.050 (1.4980)	42.075 (1.656)	(8.68)	(4.75)	(1.01)	(.15)

DIMENSIONS IN
MILLIMETRES (INCHES)

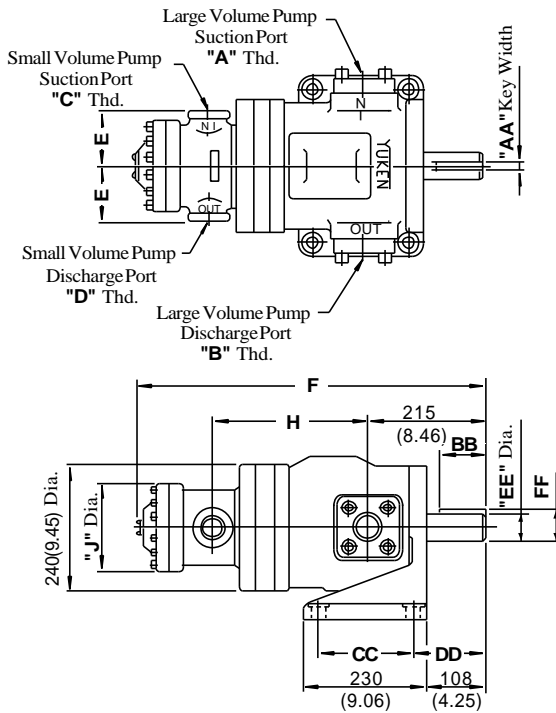
Flange Mtg.:150150T-*-*-F-RL-20/2080/2090



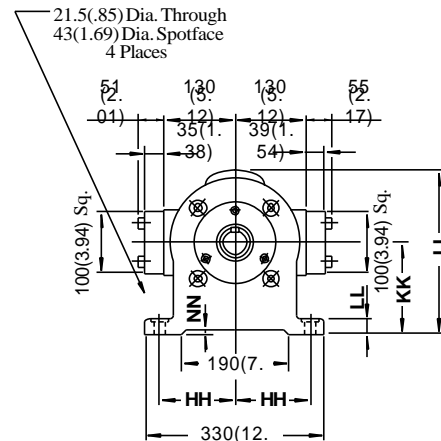
Model Numbers	Dimensions mm (Inches)					
	a	b	d	e	f	g
150150T-*-*-F-RL-20	86 (3.39)	75 (2.95)	22 (.87)	5 (.20)	203.000(7.992)	241 (9.49)
					202.954 (7.990)	
150150T-*-*-F-RL-2080	85 (3.35)	76 (2.99)	21 (.83)	6.5 (.26)	203.200(8.000)	241.3 (9.50)
					203.128 (7.997)	

• For other dimensions, refer to "Foot Mtg.".

Foot Mtg 50150F-*-*-L-RL-40/4080/4090
150250F-*-*-L-RL-40/4080/4090



The dimensions of the pipe flange mounting surface for suction and discharge ports are the same as those of "250F" series single pumps. See page 6.

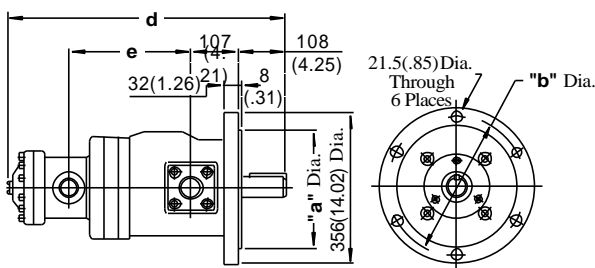


Model Numbers	"A" Thd.	"B" Thd.	"C" Thd.	"D" Thd.	Dimensions mm (Inches)			
					E	F	H	J
50250F-*-*-L-RL-40	Rc 2	Rc 1-1/2	Rc 1	Rc 3/4	70 (2.76)	562 (22.13)	250 (9.84)	125 (4.92)
50250F-*-*-L-RL-4080	2 BSP.F	1-1/2 BSP.F	1 BSP.F	3/4 BSP.F				
150250F-*-*-L-RL-40	Rc 2	Rc 1-1/2	Rc 1-1/2	Rc 1-1/4				
150250F-*-*-L-RL-4080	2 BSP.F	1-1/2 BSP.F	1-1/2 BSP.F	1-1/4 BSP.F	100 (3.94)	620.5 (24.43)	277 (10.91)	170 (6.69)

Model Numbers	Dimensions mm (Inches)										
	AA	BB	CC	DD	EE	FF	HH	JJ	KK	LL	NN
50250F/150250F-*-*-L-RL-40	12.000 (.4724)	85 (3.35)	180 (7.087)	133 (5.24)	50.000 (1.9685)	53.000 (2.087)	140 (5.512)	305 (12.01)	170 (6.69)	28 (1.10)	5 (.20)
	11.957 (.4708)				49.975 (1.9675)	52.685 (2.074)					
50250F/150250F-*-*-L-RL-4080	12.700 (.5000)	87.3 (3.44)	177.8 (7.000)	133.4 (5.25)	50.800 (2.0000)	54.900 (2.161)	139.7 (5.500)	306.5 (12.07)	171.5 (6.75)	29.5 (1.16)	6.5 (.26)
	12.673 (.4989)				50.770 (1.9988)	54.640 (2.151)					

DIMENSIONS IN MILLIMETRES (INCHES)

Flange Mtg 50150F-*-*-F-RL-40/4080/4090
150250F-*-*-F-RL-40/4080/4090



Model Numbers	Dimensions mm (Inches)			
	a	b	d	e
50250F-*-*-F-RL-40	280.000 (11.024)	318 (12.52)	562 (22.13)	250 (9.84)
	279.948 (11.022)			
50250F-*-*-F-RL-4080	279.370 (10.999)	317.5 (12.50)		
	279.290 (10.996)			
150250F-*-*-F-RL-40	280.000 (11.024)	318 (12.52)	620.5 (24.23)	277 (10.91)
	279.948 (11.022)			
150250F-*-*-F-RL-4080	279.370 (10.999)	317.5 (12.50)		
	279.290 (10.996)			

• For other dimensions, refer to "Foot Mtg."