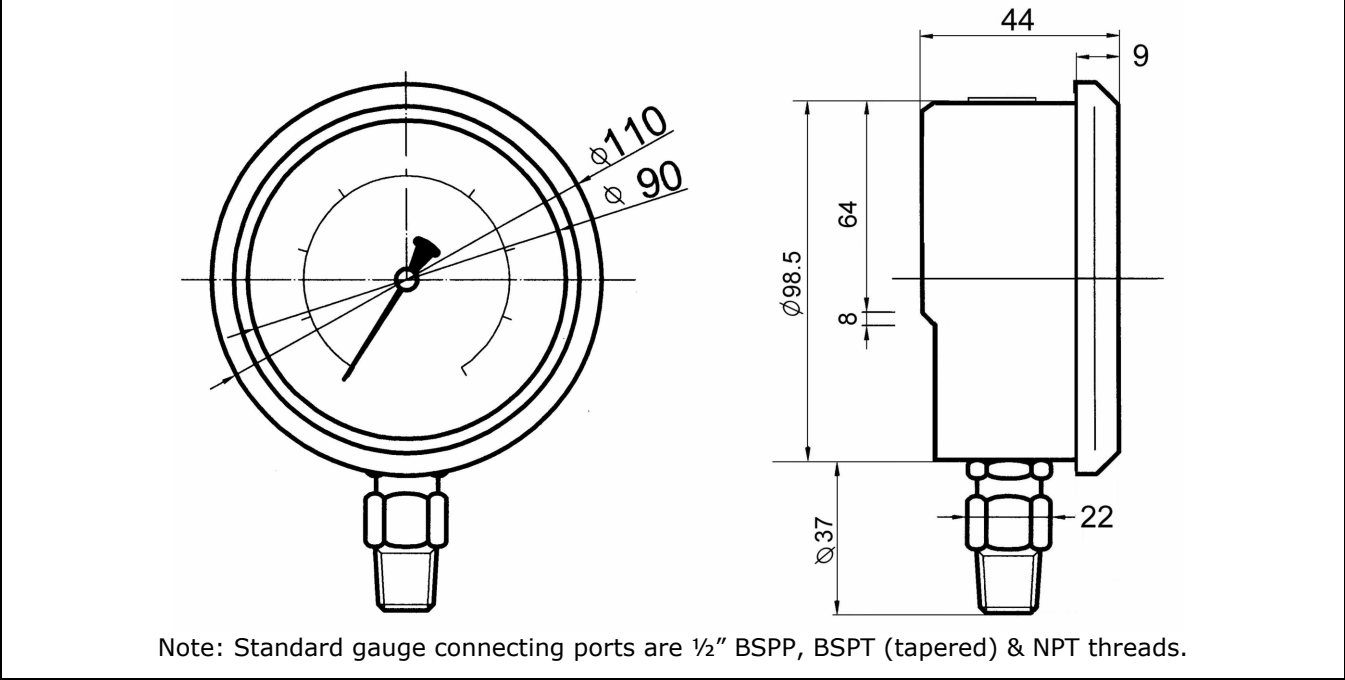
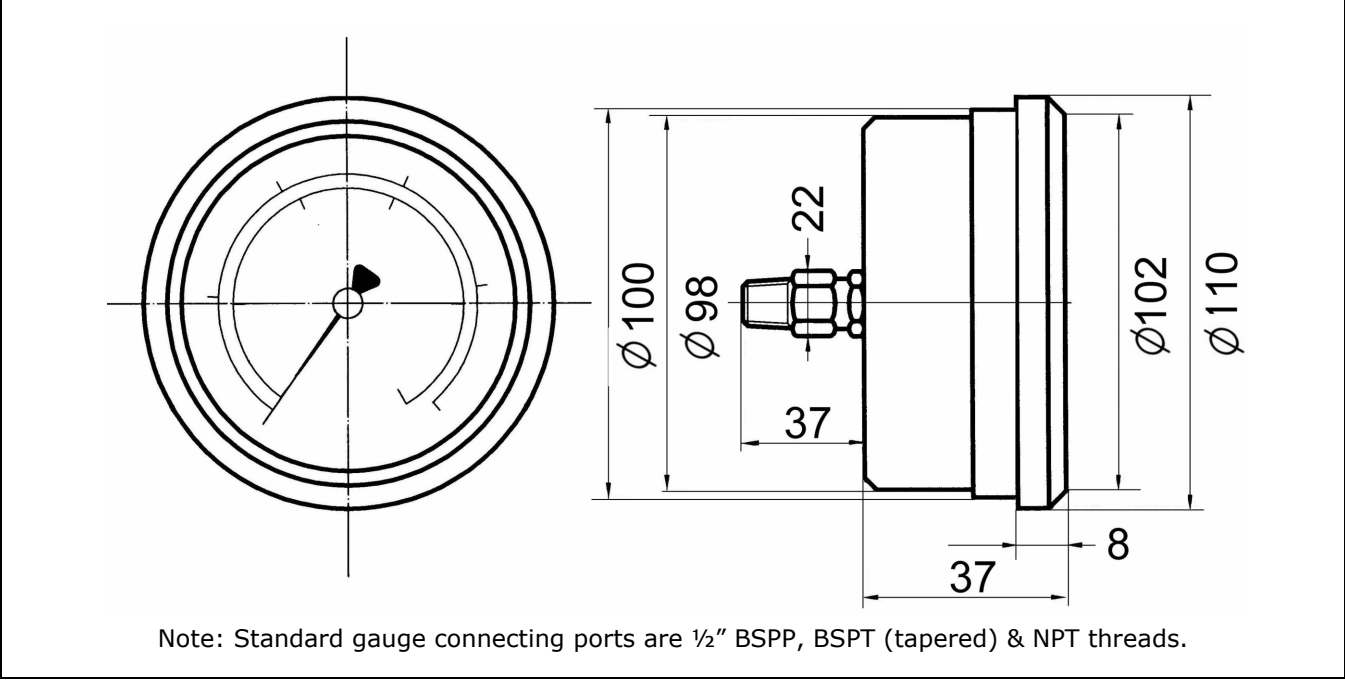


CNI Pressure Gauges - 100 mm Face Dia.
 Bourdon Tube, Glycerin Liquid Filled, Stainless Steel Case, Bronze Element, Shockless Protection, Dual Scale

Dia 100 mm, Stem Mount, Bottom Entry, 1/2" Thread Fluid Connecting Thread



Dia 100m, Panel Mount, Rear Centre Entry, 1/2" Fluid Connecting Thread



- Notes: We supply the following pressure gauges; please contact us for further details:**
- Gauges face diameter 38, 50, 63 & 100 mm; with 1/8", 1/4", 3/8" & 1/2" BSPP, BSPT & NPT connecting threads; Glycerin & or Silicon liquid filled.
 - Stainless steel type for hazard environment applications (Dia 63 & 100 mm only).