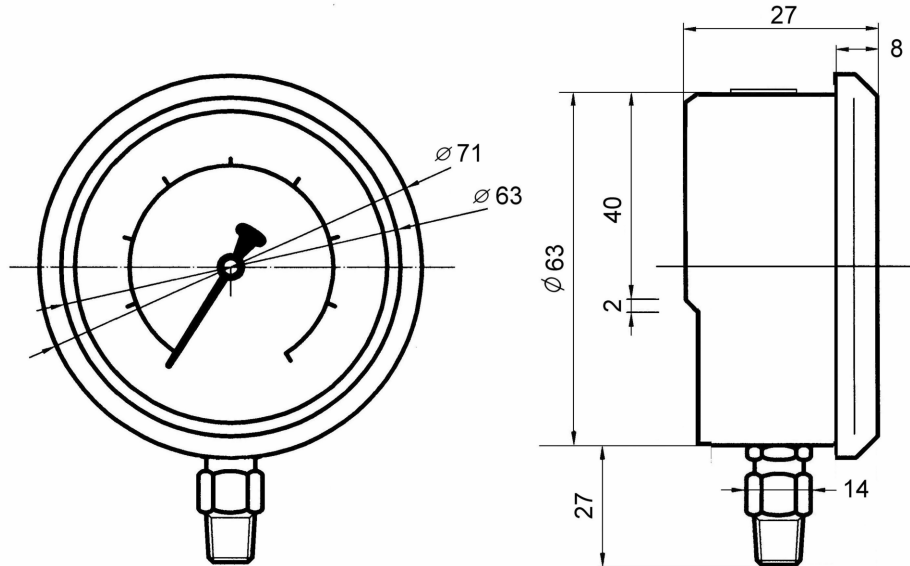


CNI Pressure Gauges - 63 mm Face Dia.

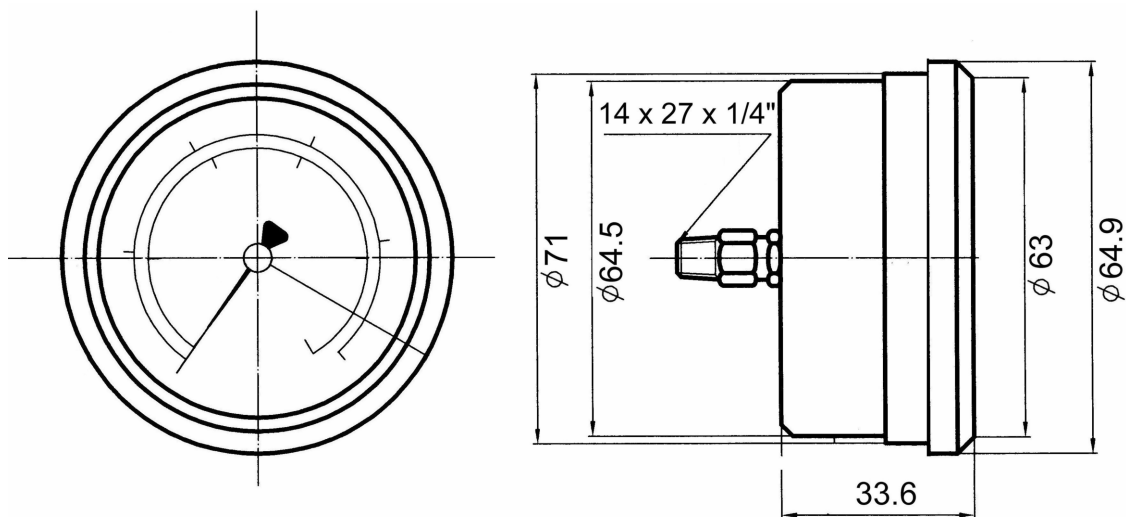
Bourdon Tube, Glycerin Liquid Filled, Stainless Steel Case, Bronze Element, Shockless Protection, Dual Scale

Dia 63 mm, Stem Mount, Bottom Entry, 1/4" Fluid Connecting Thread



Note: Standard gauge connecting ports are 1/4" BSPP, BSPT (tapered) & NPT threads.

Dia 63 mm, Panel Mount, Rear Centre Entry, 1/4" Fluid Connecting Thread



Note: Standard gauge connecting ports are 1/4" BSPP, BSPT (tapered) & NPT threads.

Notes: We supply the following pressure gauges; please contact us for further details:

- Gauges face diameter 38, 50, 63 & 100 mm; with 1/8", 1/4", 3/8" & 1/2" BSPP, BSPT & NPT connecting threads; Glycerin & or Silicon liquid filled.
- Stainless steel type for hazard environment applications (Dia 63 & 100 mm only).