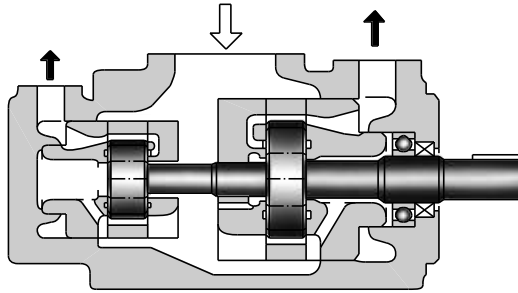


# "PV2R" SERIES

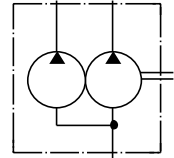
## Fixed Displacement - Double

### PV2R12/PV2R13/PV2R23/PV2R33/ PV2R14/PV2R24/PV2R34

### Model Number Designation



Graphic Symbols



### Model Number Designation

| F-                                                                               | PV2R13        | -6                                                          | -76                                                         | -L                       | -R                                            | A                                         | A                                         | A                             | -40                           | *                      |           |
|----------------------------------------------------------------------------------|---------------|-------------------------------------------------------------|-------------------------------------------------------------|--------------------------|-----------------------------------------------|-------------------------------------------|-------------------------------------------|-------------------------------|-------------------------------|------------------------|-----------|
| Special Seals                                                                    | Series Number | Small Volume Pump Nominal Displacement cm <sup>3</sup> /rev | Large Volume Pump Nominal Displacement cm <sup>3</sup> /rev | Mounting                 | Direction of Rotation                         | Small Volume Pump Discharge Port Position | Large Volume Pump Discharge Port Position | Suction Port Position         | Design Number                 | Design Standards       |           |
| <b>F:</b><br>Special seals for phosphate estertype fluids (Omit if not required) | PV2R12        | 6, 8<br>10, 12<br>14, 17<br>19, 23<br>25, 31                | 26, 33<br>41, 47<br>53, 59<br>65                            | <b>L:</b><br>Foot Mtg.   | <b>R:</b> <sup>★1</sup><br>Clockwise (Normal) | (Viewed from Shaft End)                   |                                           | <b>A:</b><br>Upwards (Normal) | <b>40</b>                     | Refer to <sup>★2</sup> |           |
|                                                                                  | PV2R13        | 6, 8<br>10, 12<br>14, 17<br>19, 23<br>25, 31                | 76, 94<br>116                                               |                          |                                               | <b>E:</b><br>Left 45°<br>Upwards (Normal) |                                           |                               |                               |                        |           |
|                                                                                  | PV2R23        | 41, 47<br>53, 59<br>65                                      | 52, 60<br>66, 76<br>94, 116                                 |                          |                                               | <b>A:</b><br>Upwards (Normal)             |                                           |                               |                               |                        |           |
|                                                                                  | PV2R33        | 76, 94<br>116                                               | 76, 94<br>116                                               | <b>F:</b><br>Flange Mtg. |                                               | <b>E:</b><br>Left 45°<br>Upwards (Normal) | <b>A:</b><br>Upwards (Normal)             |                               | <b>A:</b><br>Upwards (Normal) |                        | <b>40</b> |
|                                                                                  | PV2R14        | 6, 8<br>10, 12<br>14, 17<br>19, 23                          | 136, 153<br>184, 200<br>237                                 |                          |                                               | <b>A:</b><br>Upwards (Normal)             | <b>30</b>                                 |                               |                               |                        |           |
|                                                                                  | PV2R24        | 26, 33<br>41, 47                                            |                                                             |                          |                                               | <b>30</b>                                 |                                           |                               |                               |                        |           |
|                                                                                  | PV2R34        | 52, 60<br>66, 76<br>94, 116                                 |                                                             |                          |                                               | <b>E:</b><br>Left 45°<br>Upwards (Normal) | <b>30</b>                                 |                               |                               |                        |           |

★1. Available to supply pump with anti-clockwise rotation. Consult Yuken for details.

★2. Design Standards: None..... Japanese Standard "JIS" and European Design Standard 90..... N. American Design Standard

### Specifications

#### ■ Specifications

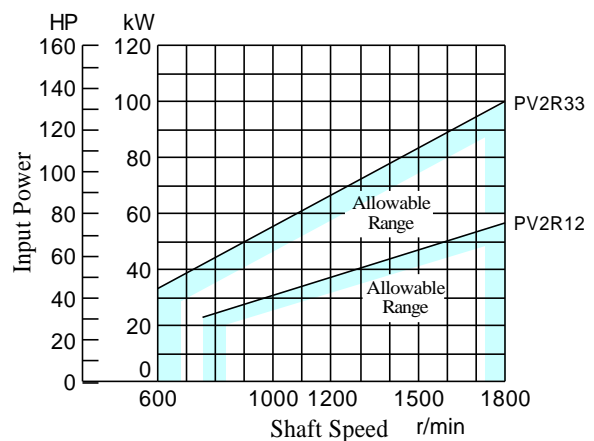
#### ● Maximum Operating Pressure

| Nominal Displacement<br>cm <sup>3</sup> /rev | Max. Operating Pressure MPa (PSI) |              |                                                  |               |                           |                  |
|----------------------------------------------|-----------------------------------|--------------|--------------------------------------------------|---------------|---------------------------|------------------|
|                                              | Petroleum Base Oils               |              | Water Containing Fluids                          |               |                           | Synthetic Fluids |
|                                              | Anti-Wear Type                    | R & O Type   | Anti-Wear <sup>*1</sup><br>Type Water<br>Glycols | Water Glycols | Water in Oil<br>Emulsions | Phosphate Esters |
| 6                                            | 21 <sup>*2</sup><br>(3050)        | 16<br>(2320) | 16<br>(2320)                                     | 7<br>(1020)   | 7<br>(1020)               | 16<br>(2320)     |
| 8                                            |                                   |              |                                                  |               |                           |                  |
| 10                                           |                                   |              |                                                  |               |                           |                  |
| 12                                           |                                   |              |                                                  |               |                           |                  |
| 14                                           |                                   |              |                                                  |               |                           |                  |
| 17                                           |                                   |              |                                                  |               |                           |                  |
| 19                                           |                                   |              |                                                  |               |                           |                  |
| 23 <sup>*3</sup>                             | 21 <sup>*3</sup><br>(3050)        |              |                                                  |               |                           |                  |
| 25                                           | 21<br>(3050)                      |              |                                                  |               |                           |                  |
| 31                                           | 16<br>(2320)                      |              |                                                  |               |                           |                  |
| 26                                           | 21<br>(3050)                      | 14<br>(2030) | 16<br>(2320)                                     | 7<br>(1020)   | 7<br>(1020)               | 14<br>(2030)     |
| 33                                           |                                   |              |                                                  |               |                           |                  |
| 41                                           |                                   |              |                                                  |               |                           |                  |
| 47                                           |                                   |              |                                                  |               |                           |                  |
| 53                                           |                                   |              |                                                  |               |                           |                  |
| 59                                           |                                   |              |                                                  |               |                           |                  |
| 65                                           |                                   |              |                                                  |               |                           |                  |
| 52                                           | 21<br>(3050)                      | 14<br>(2030) | 16<br>(2320)                                     | 7<br>(1020)   | 7<br>(1020)               | 14<br>(2030)     |
| 60                                           |                                   |              |                                                  |               |                           |                  |
| 66                                           |                                   |              |                                                  |               |                           |                  |
| 76                                           |                                   |              |                                                  |               |                           |                  |
| 94                                           |                                   |              |                                                  |               |                           |                  |
| 116                                          | 16<br>(2320)                      |              |                                                  |               |                           |                  |
| 136                                          | 17.5<br>(2540)                    | 14<br>(2030) | 16<br>(2320)                                     | 7<br>(1020)   | 7<br>(1020)               | 14<br>(2030)     |
| 153                                          |                                   |              |                                                  |               |                           |                  |
| 184                                          |                                   |              |                                                  |               |                           |                  |
| 200                                          |                                   |              |                                                  |               |                           |                  |
| 237                                          |                                   |              |                                                  |               |                           |                  |

Note: 1) For the relation between model (series) No. and nominal displacement, see the table below.

|                                         | Nominal Displacement, Large Volume Pump |            |             |                         |        |
|-----------------------------------------|-----------------------------------------|------------|-------------|-------------------------|--------|
|                                         | 26, 33, 41, 47, 53, 59, 65              | 52, 60, 66 | 76, 94, 116 | 136, 153, 184, 200, 237 |        |
| Nominal Displacement, Small Volume Pump | 6                                       | PV2R12     | —           | PV2R13                  | PV2R14 |
|                                         | 8                                       |            |             |                         |        |
|                                         | 10                                      |            |             |                         |        |
|                                         | 12                                      |            |             |                         |        |
|                                         | 14                                      |            |             |                         |        |
|                                         | 17                                      |            |             |                         |        |
|                                         | 19                                      |            |             |                         |        |
|                                         | 23                                      |            |             |                         |        |
|                                         | 25                                      |            |             |                         |        |
|                                         | 31                                      |            |             |                         |        |
| 26                                      | —                                       | —          | —           | PV2R24                  |        |
| 33                                      |                                         |            |             |                         |        |
| 41                                      |                                         |            |             |                         |        |
| 47                                      |                                         |            |             |                         | PV2R23 |
| 53                                      |                                         |            |             |                         |        |
| 59                                      |                                         |            |             |                         |        |
| 65                                      | —                                       | —          | —           | PV2R34                  |        |
| 52                                      |                                         |            |             |                         |        |
| 60                                      |                                         |            |             |                         |        |
| 66                                      |                                         |            |             |                         |        |
| 76                                      | —                                       | —          | —           | PV2R33                  |        |
| 94                                      |                                         |            |             |                         |        |
| 116                                     |                                         |            |             |                         |        |

2) As for PV2R12 and PV2R33 series, the sum of the input powers to small volume pump and large volume pump is limited against shaft speed as follows.



- ★ 1. For the brands of anti-wear water-glycols, see the item of "Hydraulic Fluids" on page 3.
  - ★ 2. For pressures above 16 MPa (2320 PSI), raise the speed over 1450r/min.
  - ★ 3. 1450r/min.
- If nominal displacement "23", of the PV2R14 series is selected, the maximum operating pressure is limited to 16 MPa (2320 PSI).

## Specifications

### ● Shaft Speed Range

| Model Numbers | Shaft Speed Range r/min                    |                   |                                             |                   |
|---------------|--------------------------------------------|-------------------|---------------------------------------------|-------------------|
|               | Petroleum Base Oils                        |                   | Water Containing Fluids<br>Phosphate Esters |                   |
|               | Max.                                       | Min.              | Max.                                        | Min.              |
| PV2R12        | 1800                                       | 750* <sup>3</sup> | 1200                                        | 750* <sup>3</sup> |
| PV2R13        | 1800* <sup>2</sup>                         | 750* <sup>3</sup> | 1200                                        | 750* <sup>3</sup> |
| PV2R23        | 1800* <sup>2</sup>                         | 600* <sup>3</sup> | 1200                                        | 600* <sup>3</sup> |
| PV2R33        | 1800* <sup>2</sup><br>(1500)* <sup>1</sup> | 600               | 1200                                        | 600               |
| PV2R14        | 1800* <sup>2</sup>                         | 750* <sup>3</sup> | 1200                                        | 750* <sup>3</sup> |
| PV2R24        | 1800* <sup>2</sup>                         | 600* <sup>3</sup> | 1200                                        | 600* <sup>3</sup> |
| PV2R34        | 1800* <sup>2</sup>                         | 600               | 1200                                        | 600               |

★ 1. For PV2R33-116-116, the maximum speed is limited to 1500 r/min.  
★ 2. min.

As for the models (nominal displacements) listed below, the minimum suction pressure are limited in relation to the shaft speed.

[For other models, the minimum suction pressure is -20 kPa (5.9 in. Hg vacuum) irrespective of speed.]

| Model Numbers                                                | Min. Suction Pres. kPa (in. Hg Vacuum) |                   |
|--------------------------------------------------------------|----------------------------------------|-------------------|
|                                                              | Less than 1700 r/min                   | 1700 - 1800 r/min |
| PV2R13-* -116<br>PV2R23-* -116                               | -20 (5.9)                              | 0 (0)             |
| PV2R23-* -76<br>PV2R33-* -76                                 | -20 (5.9)                              | -7 (1.97)         |
| PV2R33-94-*<br>PV2R33-116-*<br>PV2R33-* -94<br>PV2R33-* -116 | -20 (5.9)                              | 0 (0)             |
| PV2R14-* -237<br>PV2R24-* -237<br>PV2R34-* -237              | -20 (5.9)                              | -13 (3.94)        |
| PV2R34-116-*                                                 | -20 (5.9)                              | 0 (0)             |

★ 3. For starting at low speed, the maximum viscosity is limited.  
For details, see the item of "Hydraulic Fluids" on page 3.

### ● Output Flow & Input Power

The pump characteristics are the same as those for PV2R series single pumps. See the pages concerned.

| Model Numbers | Output Flow & Input Power                                                                                                 |                                                                                                                           |
|---------------|---------------------------------------------------------------------------------------------------------------------------|---------------------------------------------------------------------------------------------------------------------------|
|               | Small Volume Pump                                                                                                         | Large Volume Pump                                                                                                         |
| PV2R12        | Same as single pump "PV2R1", refer to pages 11 - 13.                                                                      | Same as single pump "PV2R2", refer to pages 13&14. However, as for displacement of "26" and "33", refer to page 29.       |
| PV2R13        | Same as single pump "PV2R1", refer to pages 11 - 13.                                                                      | Same as single pump "PV2R3", refer to page 15.                                                                            |
| PV2R23        | Same as single pump "PV2R2", refer to pages 13&14.                                                                        | Same as single pump "PV2R3", refer to page 15. However, as for displacement of "52", "60" and "66", refer to pages 29&30. |
| PV2R33        | Same as single pump "PV2R3", refer to page 15.                                                                            | Same as single pump "PV2R3", refer to page 15.                                                                            |
| PV2R14        | Same as single pump "PV2R1", refer to pages 11 - 13.                                                                      | Same as single pump "PV2R4", refer to pages 15&16.                                                                        |
| PV2R24        | Same as single pump "PV2R2", refer to pages 13&14. However, as for displacement of "26" and "33", refer to page 29.       |                                                                                                                           |
| PV2R34        | Same as single pump "PV2R3", refer to page 15. However, as for displacement of "52", "60" and "66", refer to pages 29&30. |                                                                                                                           |

### ● Mass

| Mounting    | Model Numbers | Approx. Mass kg (lbs.) |            |          |          |           |           |           |
|-------------|---------------|------------------------|------------|----------|----------|-----------|-----------|-----------|
|             |               | PV2R12                 | PV2R13     | PV2R23   | PV2R33   | PV2R14    | PV2R24    | PV2R34    |
| Flange Mtg. |               | 25 (55.1)              | 45.6(101)  | 51(113)  | 84(185)  | 75 (165)  | 78 (172)  | 98 (216)  |
| Foot Mtg.   |               | 29.3 (64.6)            | 55.6 (123) | 61 (135) | 94 (207) | 100 (221) | 103 (227) | 123 (271) |

**■ Pipe Flange Kits**

Pipe flange kits are available. When ordering, specify the kit the number from the table below.

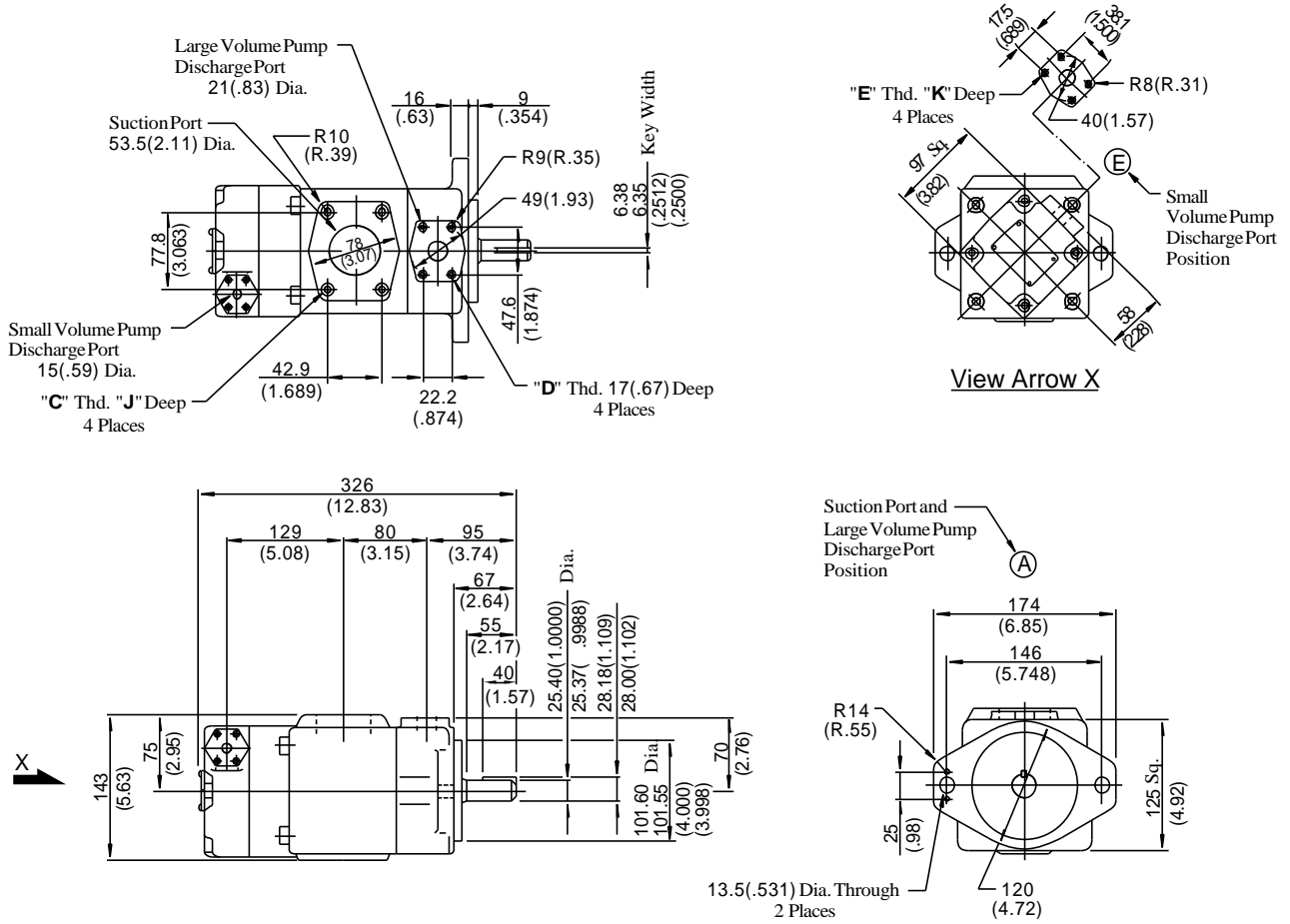
| Pump Model Numbers | Name of Port    | Pipe Flange Kit Numbers |                          |                             |                                                     |                             |                                                     |                             |
|--------------------|-----------------|-------------------------|--------------------------|-----------------------------|-----------------------------------------------------|-----------------------------|-----------------------------------------------------|-----------------------------|
|                    |                 | Threaded Connection     |                          |                             | Socket Welding*                                     |                             | Butt Welding                                        |                             |
|                    |                 | Japanese Standard "JIS" | European Design Standard | N. American Design Standard | Japanese Standard "JIS"<br>European Design Standard | N. American Design Standard | Japanese Standard "JIS"<br>European Design Standard | N. American Design Standard |
| PV2R12             | Suction         | F5-16-A-10              | F5-16-A-1080             | F5-16-A-1090                | F5-16-B-10                                          | F5-16-B-1090                | F5-16-C-10                                          | F5-16-C-1090                |
|                    | Large Discharge | F5-06-A-10              | F5-06-A-1080             | F5-06-A-1090                | F5-06-B-10                                          | F5-06-B-1090                | F5-06-C-10                                          | F5-06-C-1090                |
|                    | Small Discharge | F5-04-A-10              | F5-04-A-1080             | F5-04-A-1090                | F5-04-B-10                                          | F5-04-B-1090                | F5-04-C-10                                          | F5-04-C-1090                |
| PV2R13             | Suction         | F5-24-A-10              | —                        | —                           | F5-24-B-10                                          | F5-24-B-1090                | F5-24-C-10                                          | F5-24-C-1090                |
|                    | Large Discharge | F5-10-A-10              | F5-10-A-1080             | F5-10-A-1090                | F5-10-B-10                                          | F5-10-B-1090                | F5-10-C-10                                          | F5-10-C-1090                |
|                    | Small Discharge | F5-04-A-10              | F5-04-A-1080             | F5-04-A-1090                | F5-04-B-10                                          | F5-04-B-1090                | F5-04-C-10                                          | F5-04-C-1090                |
| PV2R23             | Suction         | F5-24-A-10              | —                        | —                           | F5-24-B-10                                          | F5-24-B-1090                | F5-24-C-10                                          | F5-24-C-1090                |
|                    | Large Discharge | F5-10-A-10              | F5-10-A-1080             | F5-10-A-1090                | F5-10-B-10                                          | F5-10-B-1090                | F5-10-C-10                                          | F5-10-C-1090                |
|                    | Small Discharge | F5-06-A-10              | F5-06-A-1080             | F5-06-A-1090                | F5-06-B-10                                          | F5-06-B-1090                | F5-06-C-10                                          | F5-06-C-1090                |
| PV2R33             | Suction         | F5-28-A-10              | —                        | —                           | F5-28-B-10                                          | F5-28-B-1090                | F5-28-C-10                                          | F5-28-C-1090                |
|                    | Large Discharge | F5-10-A-10              | F5-10-A-1080             | F5-10-A-1090                | F5-10-B-10                                          | F5-10-B-1090                | F5-10-C-10                                          | F5-10-C-1090                |
|                    | Small Discharge | F5-10-A-10              | F5-10-A-1080             | F5-10-A-1090                | F5-10-B-10                                          | F5-10-B-1090                | F5-10-C-10                                          | F5-10-C-1090                |
| PV2R14             | Suction         | F5-28-A-10              | —                        | —                           | F5-28-B-10                                          | F5-28-B-1090                | F5-28-C-10                                          | F5-28-C-1090                |
|                    | Large Discharge | F5-12-A-10              | F5-12-A-1080             | F5-12-A-1090                | F5-12-B-10                                          | F5-12-B-1090                | F5-12-C-10                                          | F5-12-C-1090                |
|                    | Small Discharge | F5-04-A-10              | F5-04-A-1080             | F5-04-A-1090                | F5-04-B-10                                          | F5-04-B-1090                | F5-04-C-10                                          | F5-04-C-1090                |
| PV2R24             | Suction         | F5-28-A-10              | —                        | —                           | F5-28-B-10                                          | F5-28-B-1090                | F5-28-C-10                                          | F5-28-C-1090                |
|                    | Large Discharge | F5-12-A-10              | F5-12-A-1080             | F5-12-A-1090                | F5-12-B-10                                          | F5-12-B-1090                | F5-12-C-10                                          | F5-12-C-1090                |
|                    | Small Discharge | F5-06-A-10              | F5-06-A-1080             | F5-06-A-1090                | F5-06-B-10                                          | F5-06-B-1090                | F5-06-C-10                                          | F5-06-C-1090                |
| PV2R34             | Suction         | F5-32-A-10              | —                        | —                           | F5-32-B-10                                          | F5-32-B-1090                | F5-32-C-10                                          | F5-32-C-1090                |
|                    | Large Discharge | F5-12-A-10              | F5-12-A-1080             | F5-12-A-1090                | F5-12-B-10                                          | F5-12-B-1090                | F5-12-C-10                                          | F5-12-C-1090                |
|                    | Small Discharge | F5-10-A-10              | F5-10-A-1080             | F5-10-A-1090                | F5-10-B-10                                          | F5-10-B-1090                | F5-10-C-10                                          | F5-10-C-1090                |

★ In case of using socket welding flanges, there is a case where the operating pressure should be set lower than the normal because of strength of the flanges. Therefore, please pay cautious attention to the operating pressure when the socket welding flanges are used.

Notes: Special seals (Viton seals) are required when phosphate ester type fluids are used. (Prefix 'F-' to the pipe flange kit number when ordering.)

● Details of the pipe flange kits are given in the Catalogue No. Pub. EC-3001.

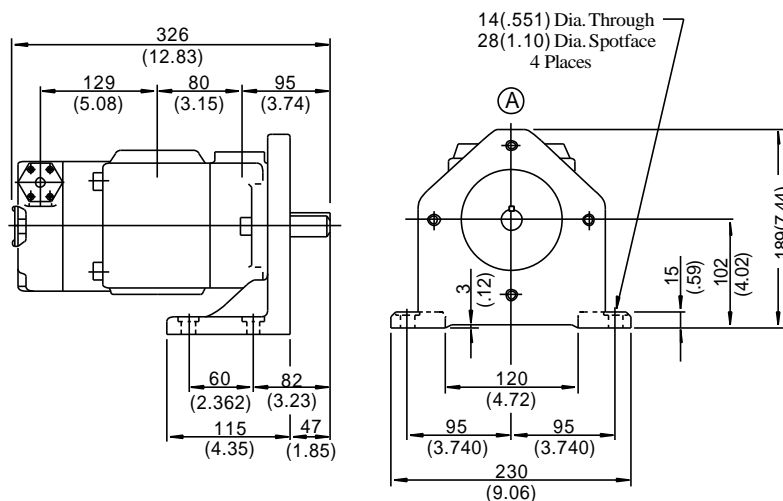
Flange Mtg.: PV2R12-\*\*-F-REAA-40/4090



| Model Numbers         | "C" Thd.   | "D" Thd.   | "E" Thd.    | Dimensions mm (Inches) |          |
|-----------------------|------------|------------|-------------|------------------------|----------|
|                       |            |            |             | J                      | K        |
| PV2R12-**-F-REAA-40   | M12        | M10        | M8          | 19(.75)                | 14(.55)  |
| PV2R12-**-F-REAA-4090 | 1/2-13 UNC | 3/8-16 UNC | 5/16-18 UNC | 21 (.83)               | 16 (.63) |

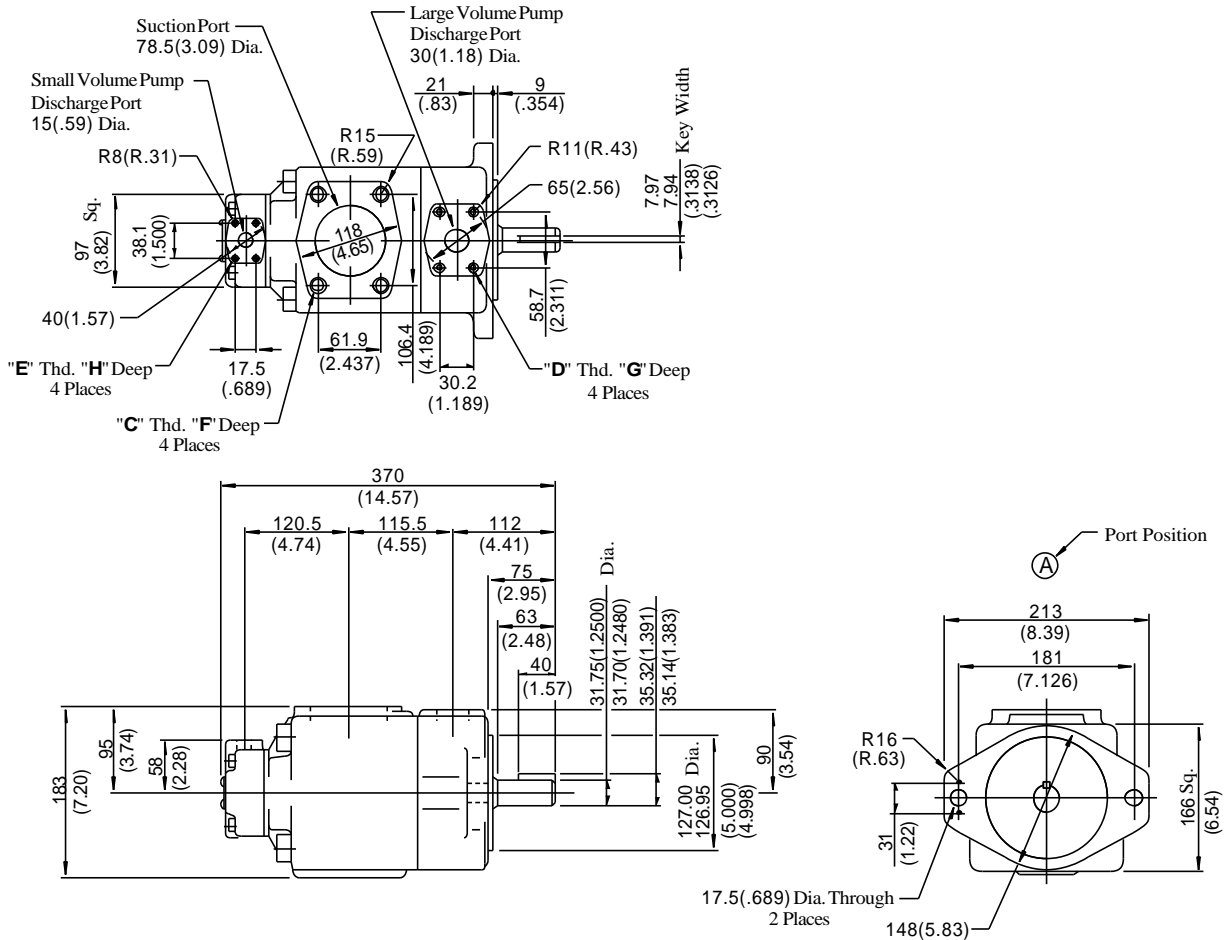
**DIMENSIONS IN MILLIMETRES (INCHES)**

Foot Mtg.: PV2R12-\*\*-L-REAA-40/4090



• For other dimensions, refer to "Flange Mtg.".

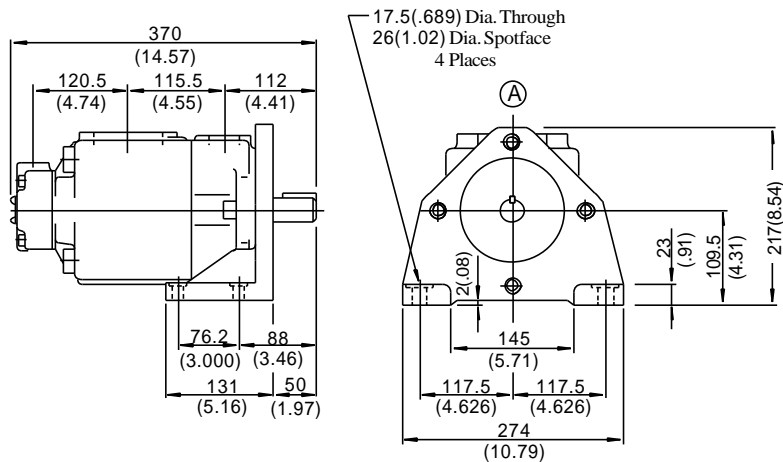
#### Flange Mtg.: PV2R13-\*-\*-F-RAAA-40/4090



| Model Numbers          | "C" Thd.   | "D" Thd.    | "E" Thd.    | Dimensions mm (Inches) |         |         |
|------------------------|------------|-------------|-------------|------------------------|---------|---------|
|                        |            |             |             | F                      | G       | H       |
| PV2R13-*-*-F-RAAA-40   | M16        | M10         | M8          | 19(.75)                | 19(.75) | 14(.55) |
| PV2R13-*-*-F-RAAA-4090 | 5/8-11 UNC | 7/16-14 UNC | 5/16-18 UNC | 21(.83)                | 20(.79) | 16(.63) |

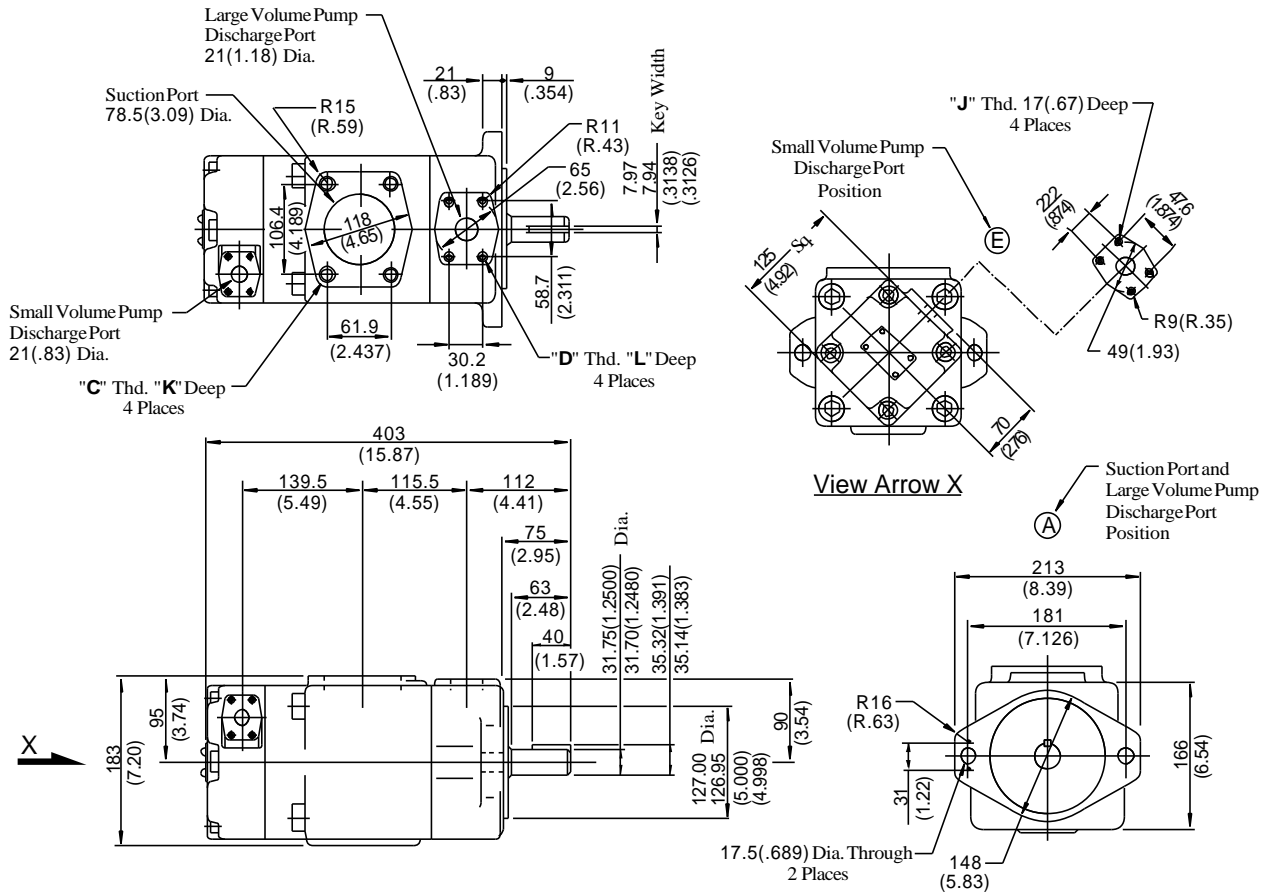
**DIMENSIONS IN MILLIMETRES (INCHES)**

#### Foot Mtg.: PV2R13-\*-\*-L-RAAA-40/4090



• For other dimensions, refer to "Flange Mtg."

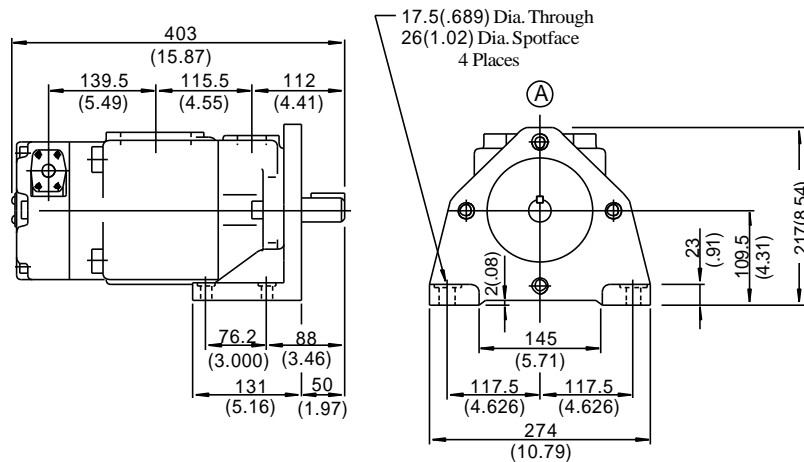
Flange Mtg.: PV2R23-\*-F-REAA-40/4090



| Model Numbers        | "C" Thd.   | "D" Thd.    | "J" Thd.   | Dimensions mm (Inches) |          |
|----------------------|------------|-------------|------------|------------------------|----------|
|                      |            |             |            | K                      | L        |
| PV2R23-*-F-REAA-40   | M16        | M10         | M10        | 19(.75)                | 19(.75)  |
| PV2R23-*-F-REAA-4090 | 5/8-11 UNC | 7/16-14 UNC | 3/8-16 UNC | 21 (.83)               | 20 (.79) |

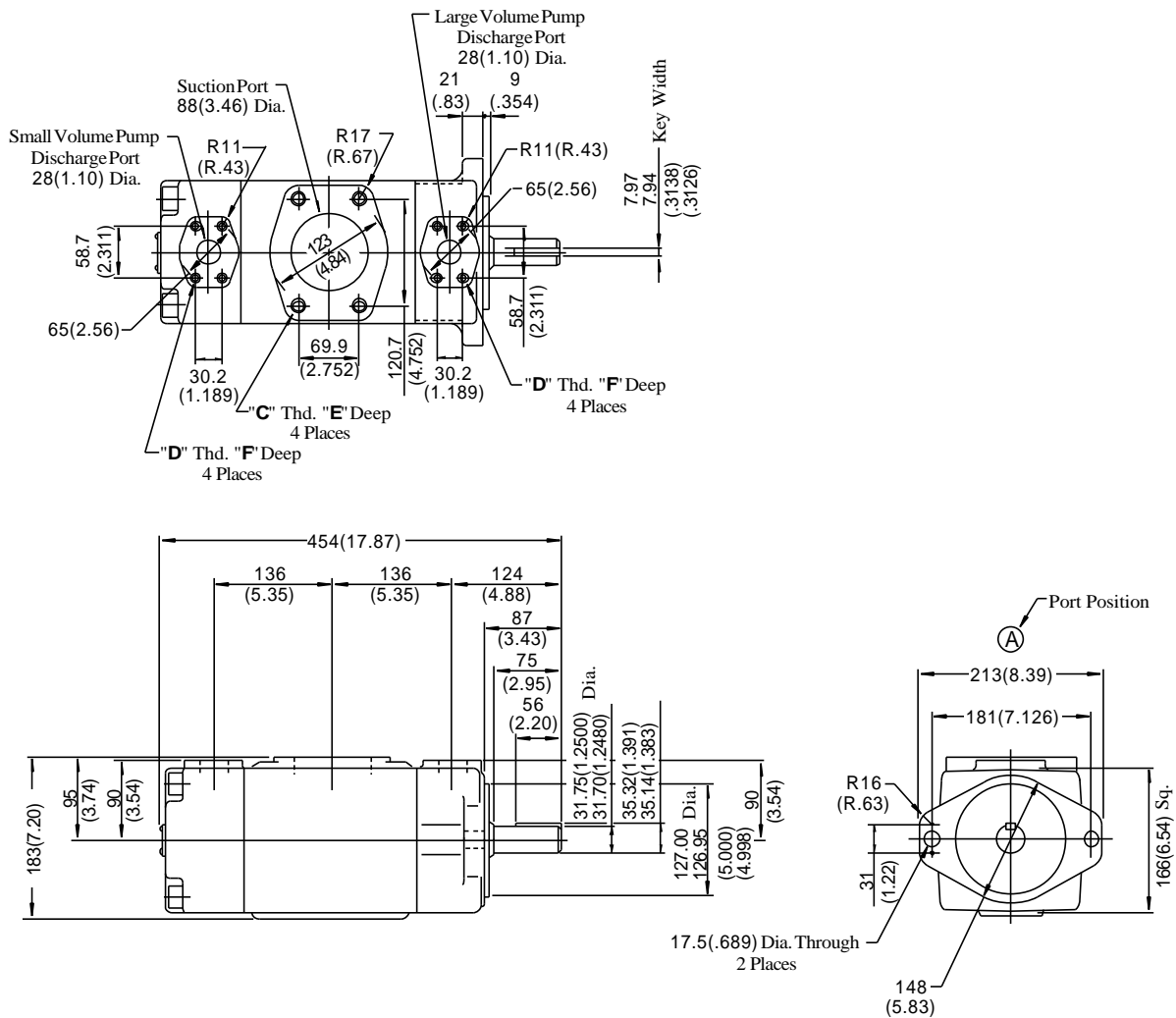
**DIMENSIONS IN  
MILLIMETRES (INCHES)**

Foot Mtg.: PV2R23-\*-L-REAA-40/4090



• For other dimensions, refer to "Flange Mtg.".

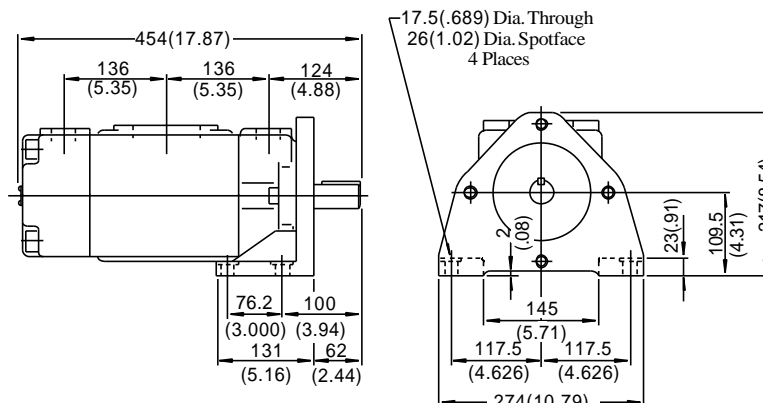
Flange Mtg.: PV2R33-\*-F-RAAA-30/3090



| Model Numbers        | "C" Thd.   | "D" Thd.    | Dimensions mm (Inches) |          |
|----------------------|------------|-------------|------------------------|----------|
|                      |            |             | E                      | F        |
| PV2R33-*-F-RAAA-30   | M16        | M10         | 19 (.75)               | 19 (.75) |
| PV2R33-*-F-RAAA-3090 | 5/8-11 UNC | 7/16-14 UNC | 21 (.83)               | 20 (.79) |

DIMENSIONS IN  
MILLIMETRES (INCHES)

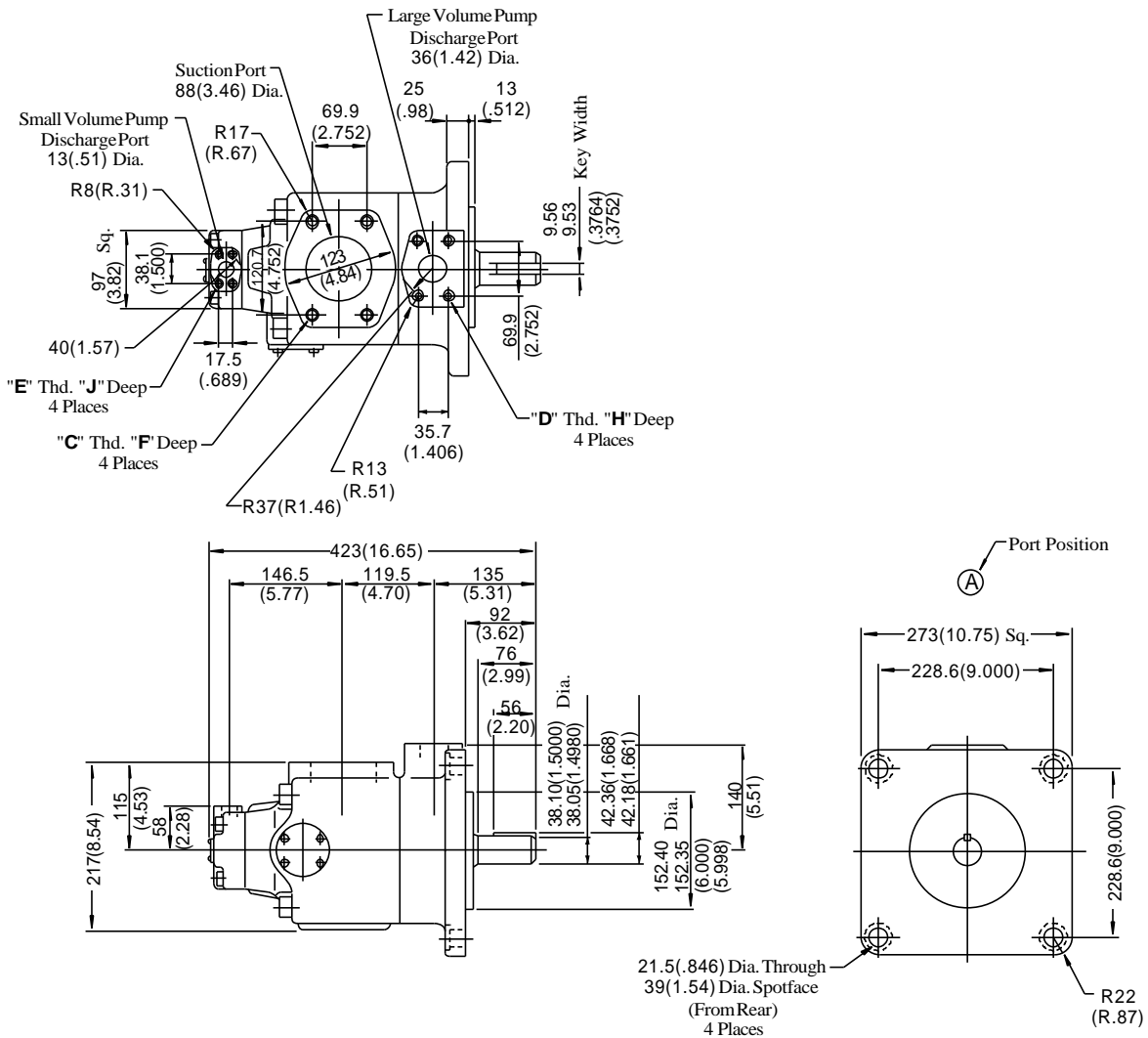
Foot Mtg.: PV2R33-\*-L-RAAA-30/3090



• For other dimensions, refer to "Flange Mtg."



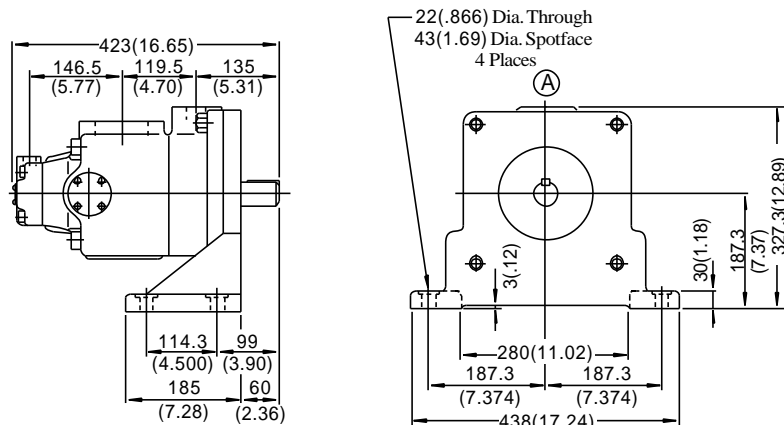
Flange Mtg.: PV2R14-\*\*-F-RAAA-30/3090



| Model Numbers         | "C" Thd.   | "D" Thd.   | "E" Thd.    | Dimensions mm (Inches) |          |          |
|-----------------------|------------|------------|-------------|------------------------|----------|----------|
|                       |            |            |             | F                      | H        | J        |
| PV2R14-**-F-RAAA-30   | M16        | M12        | M8          | 19(.75)                | 19(.75)  | 14(.55)  |
| PV2R14-**-F-RAAA-3090 | 5/8-11 UNC | 1/2-13 UNC | 5/16-18 UNC | 21 (.83)               | 21 (.83) | 16 (.63) |

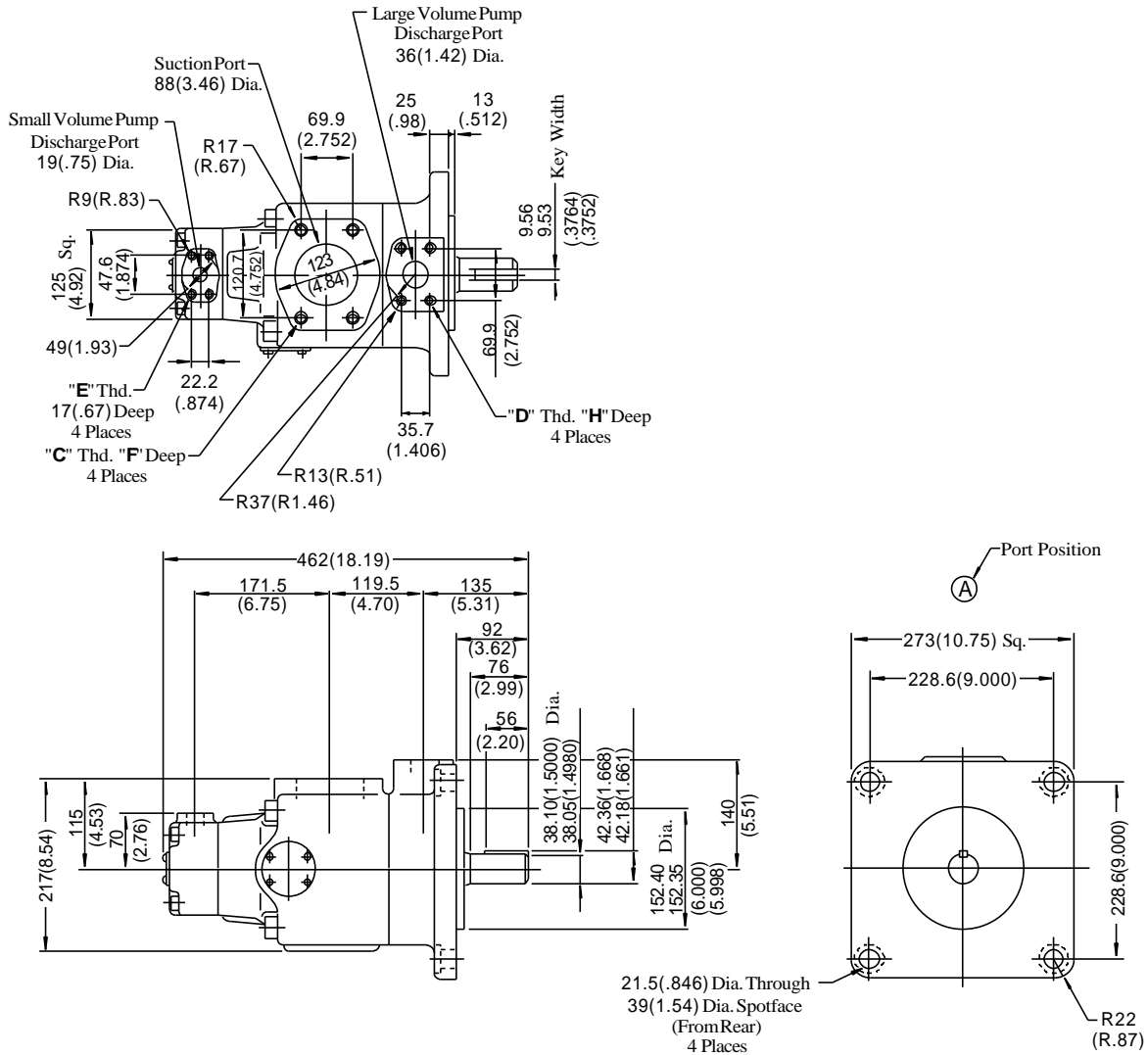
DIMENSIONS IN MILLIMETRES (INCHES)

Foot Mtg.: PV2R14-\*\*-L-RAAA-30/3090



• For other dimensions, refer to "Flange Mtg."

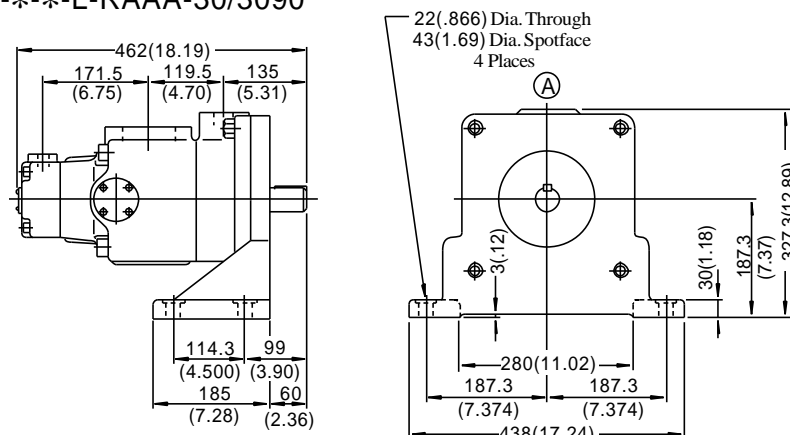
Flange Mtg.: PV2R24-\*-F-RAAA-30/3090



| Model Numbers        | "C" Thd.   | "D" Thd.   | "E" Thd.   | Dimensions mm (Inches) |          |
|----------------------|------------|------------|------------|------------------------|----------|
|                      |            |            |            | F                      | H        |
| PV2R24-*-F-RAAA-30   | M16        | M12        | M10        | 19(.75)                | 19(.75)  |
| PV2R24-*-F-RAAA-3090 | 5/8-11 UNC | 1/2-13 UNC | 3/8-16 UNC | 21 (.83)               | 21 (.83) |

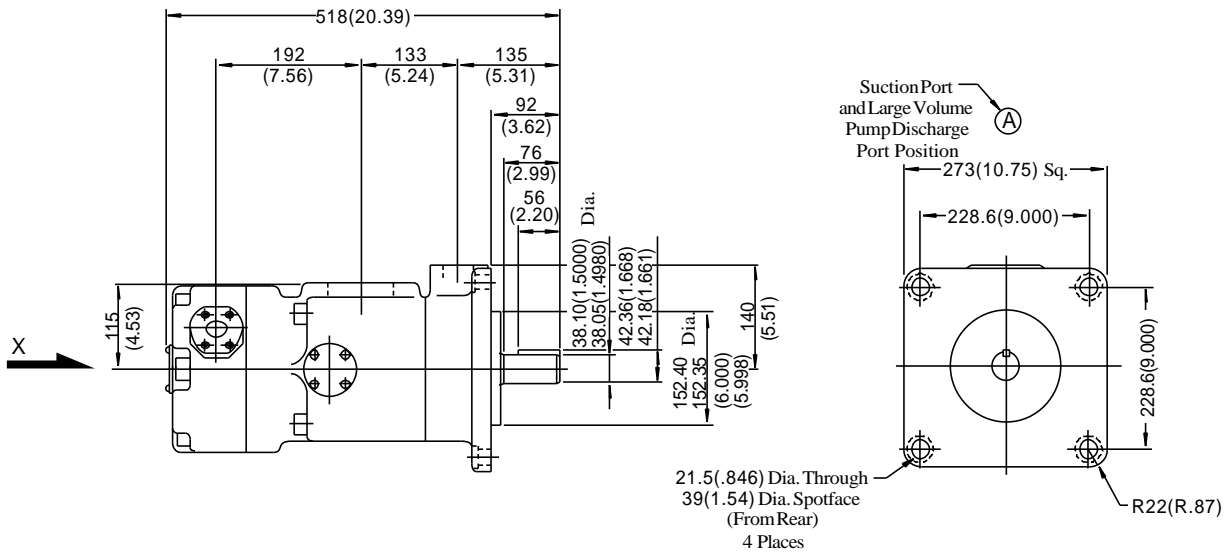
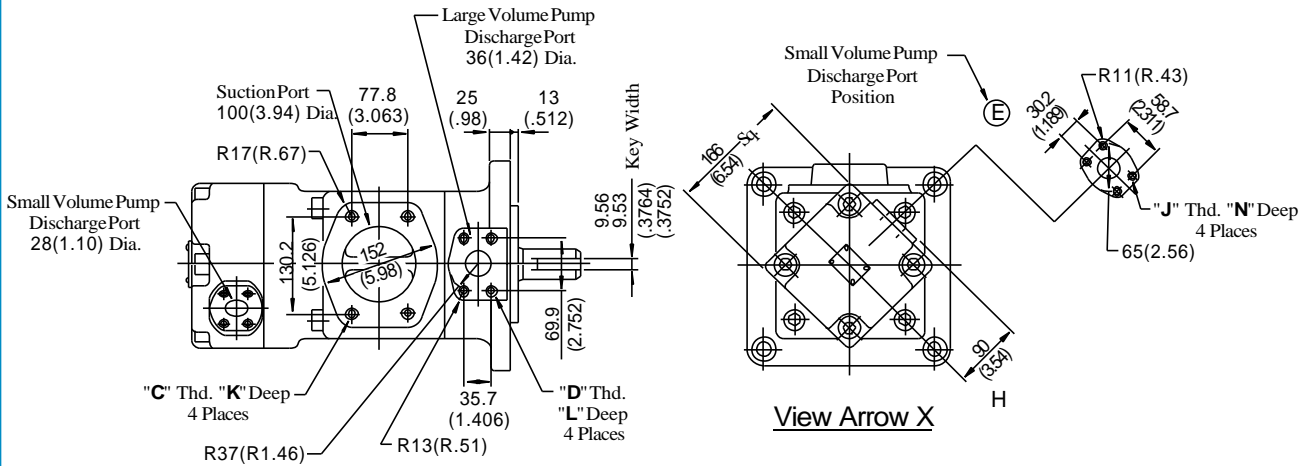
DIMENSIONS IN  
MILLIMETRES (INCHES)

Foot Mtg.: PV2R24-\*-L-RAAA-30/3090



• For other dimensions, refer to "Flange Mtg."

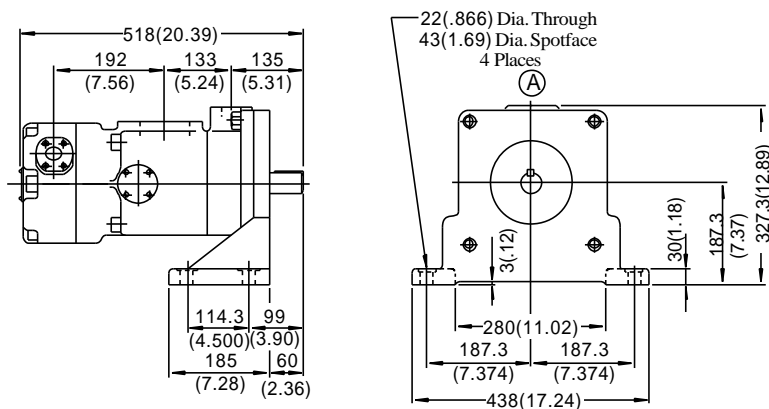
Flange Mtg.: PV2R34-\*-F-REAA-30/3090



| Model Numbers        | "C" Thd.   | "D" Thd.   | "J" Thd.    | Dimensions mm (Inches) |         |         |
|----------------------|------------|------------|-------------|------------------------|---------|---------|
|                      |            |            |             | K                      | L       | N       |
| PV2R34-*-F-REAA-30   | M16        | M12        | M8          | 19(.75)                | 19(.75) | 19(.75) |
| PV2R34-*-F-REAA-3090 | 5/8-11 UNC | 1/2-14 UNC | 7/16-14 UNC | 21(.83)                | 21(.83) | 20(.79) |

**DIMENSIONS IN MILLIMETRES (INCHES)**

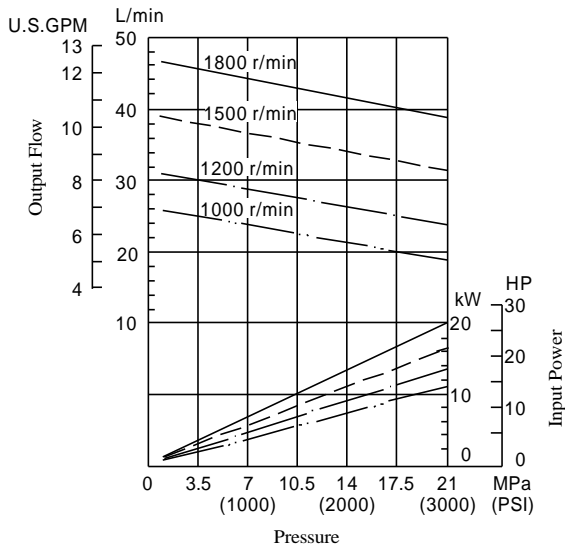
Foot Mtg.: PV2R34-\*-L-REAA-30/3090



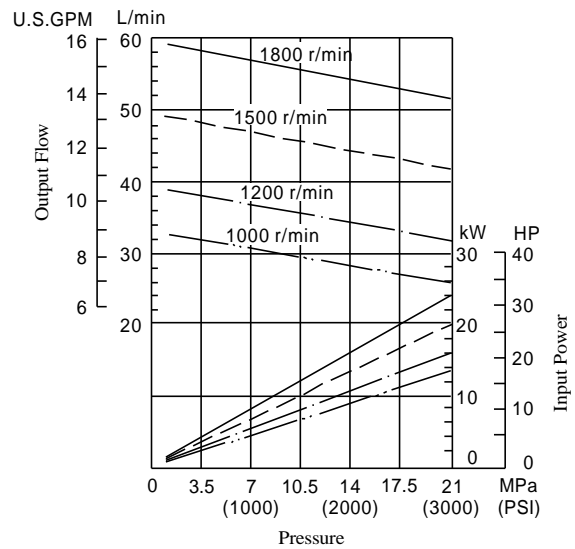
• For other dimensions, refer to "Flange Mtg."

Viscosity 20 mm<sup>2</sup>/s (100 SSU) [ISO VG32 Oils, 50 蛸 (122 蛸)]

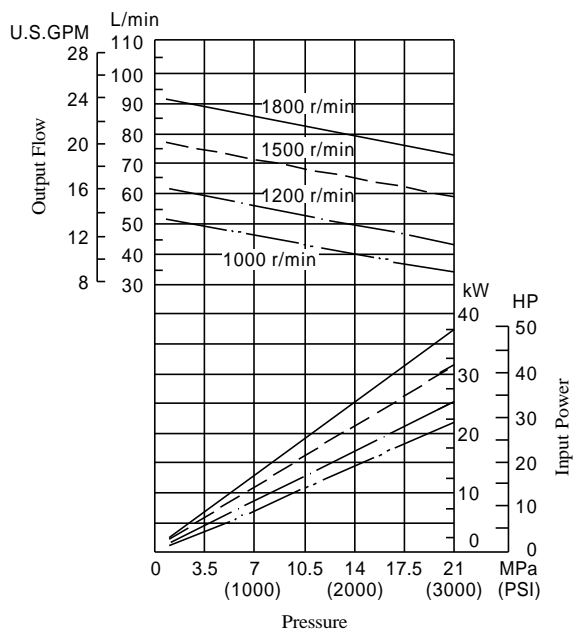
- PV2R12-\*-26
- PV2R24-26-\*



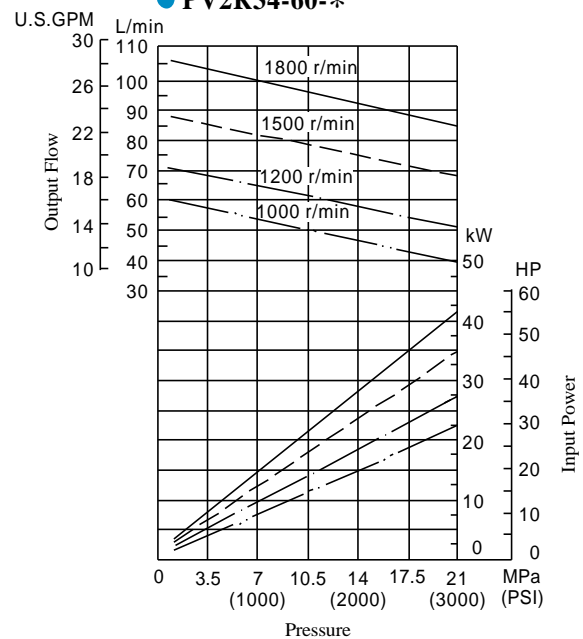
- PV2R12-\*-33
- PV2R24-33-\*



- PV2R23-\*-52
- PV2R34-52-\*



- PV2R23-\*-60
- PV2R34-60-\*



Viscosity 20 mm<sup>2</sup>/s (100 SSU) [ISO VG32 Oils, 50 蛸 (122 蚌)]

